

## DEFENDER RT

### SEMI-AUTOMATIC ROTARY ARM STRETCH-WRAPPER

---



 **Defender**

## Features

- Easily wraps unstable or heavy loads
- Load cell controlled film tension
- 3 year machine warranty
- Available in four configurations:
  - Wall mountable
  - Beam mountable
  - Portable and free-standing
  - Post-mount frame
- Soft-start and stop on arm drive
- Arm safety-stop
- Non-Proprietary Components

# DEFENDER RT

## SEMI-AUTOMATIC ROTARY ARM STRETCH-WRAPPER

### Standard Features

#### Wrapping Features

- Power on/off switch
- Start button
- Emergency stop button
- Adjustable arm speed (0-14 RPM)
- Adjustable carriage speed
- Adjustable film tension
- Manual carriage control
- Manual arm control
- Separate top and bottom wrap selector switch (0-9)
- Selectable over-wrap on load (1-9")
- Triple beam auto-height photoeye to sense any colour product
- PLC Controller
- SCR speed controls provide arm with soft start and stop
- Dynamic braking
- Breaker resets on panel
- Positive home alignment
- Emergency stop if photoeye detects obstacles in arm's path

#### Main Frame and Arm

- Tubular steel construction
- 1/2 HP, TEFC, 90V DC motor
- Heavy-duty ANSI #50 chain drive

#### Film Carriage

- 20" Samuel E-Z load non-slip pre-stretch carriage
- Closing the door automatically threads film
- Coated rollers prevent film from slipping and reduce neckdown
- Power pre-stretch allows film to be stretched by 60 to 300% (set to customer's needs)
- Load-cell controlled film-tension for reliable corner compensation

Represented By:

DEFENDER RT-02/16 116234

### Available Options

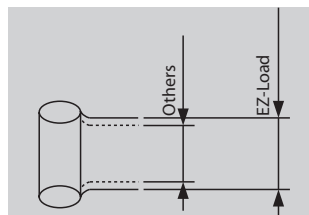
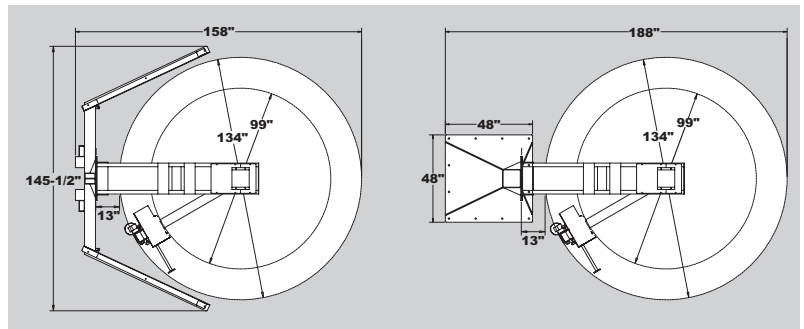
- Auto-film Cutter
- Cold Temperature Package
- Cycle Counter
- Foot-Pedal Cycle Start Switch
- Remote Lanyard Start Switch
- Increased Maximum Load
- Carriage Upgrade from Standard 20" to 30"
- Carriage-mounted, Single Acting, Manually Adjustable Roping Device
- Carriage-mounted, Double Acting, Manually Adjustable Roping Device
- Photo-eye for Round or Black Loads
- Warning Beacon
- Wash-down Motors
- CSA/UL Approval

### Specifications

Electrical Supply:	110/220, 20 amp
UL/CSA:	Approved components
Load Size:	50" x 50"
Load Heights:	20" to 80"
Load Weights:	Up to 4000 lbs
Production:	20-25 loads per hour (depending on configuration)

*Features and specifications subject to change without notice*

Machines for larger, higher, and heavier loads are available



High-efficiency EZ-Load pre-stretch carriage minimizes neck-down and improves film yield.