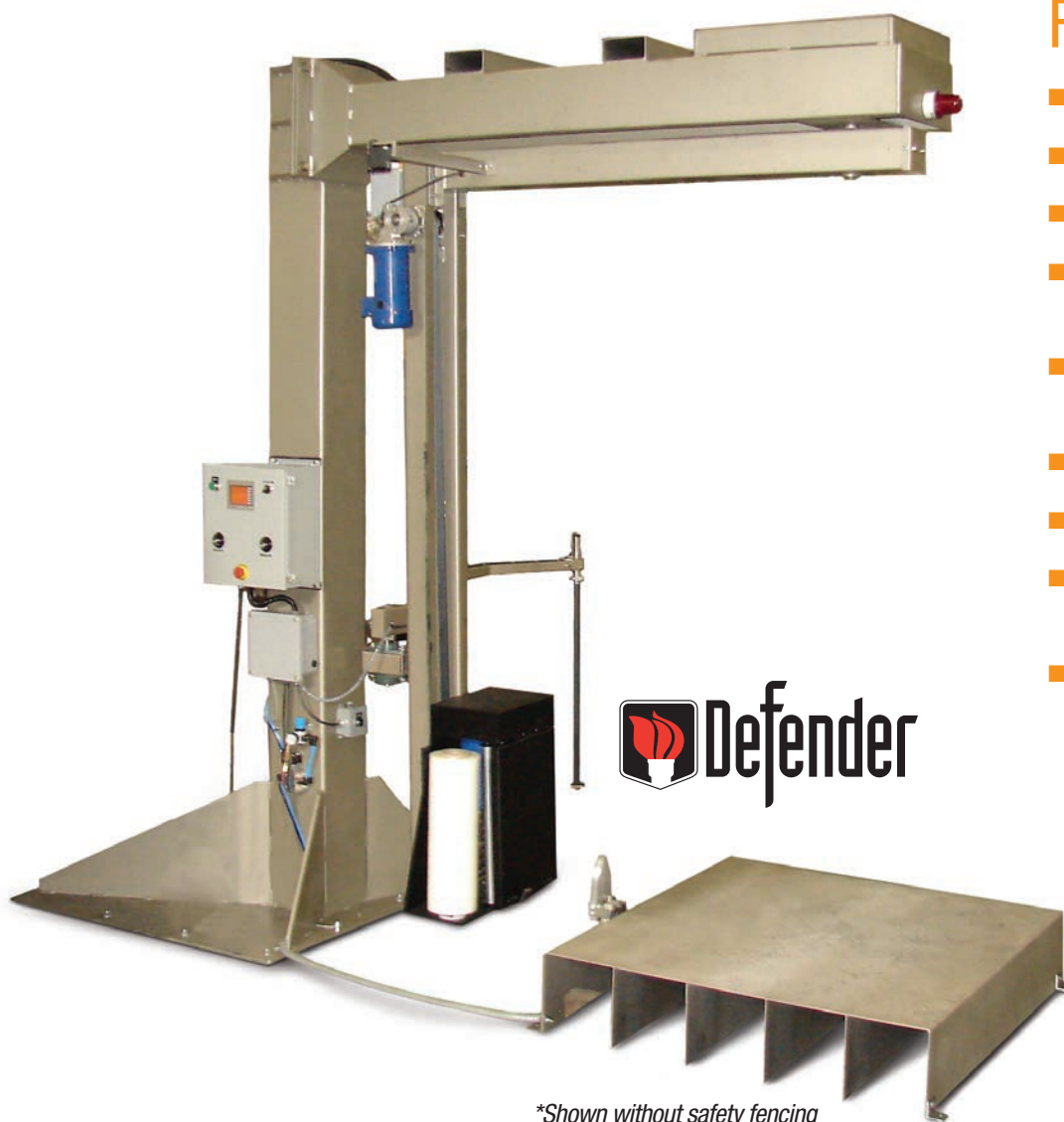


DEFENDER RTA

AUTOMATIC ROTARY ARM STRETCH-WRAPPER



**Shown without safety fencing*

Features

- Fully Automatic Wrapping
- Touchscreen controls
- Wrap without leaving forklift
- Safety Photo-eyes to protect operator
- Wrap Over Load Adjustment (0" -15")
- Adjustable Speed Controls
- E Z Load Carriage
- Load cell controlled film tension
- Available as conveyORIZED version

DEFENDER RTA

AUTOMATIC ROTARY ARM STRETCH-WRAPPER

Standard Features

- Mitsubishi PLC
- Touchscreen control
- Automatic/manual control
- All movements controllable manually
- Emergency stop button
- Adjustable armspeed (0-14 RPM)
- Adjustable carriage speed
- Pedestal pallet support to allow wrapping to bottom of pallet
- Separate top and bottom wrap controls (0-9 wraps)
- Selectable over-wrap on load (0-15")
- SCR motor speed controls with soft start/stop
- Emergency stop if photoeye detects obstacles in arm's path

Frame and Arm

- Structural steel mounting post
- Pneumatic clamp and cutter and wiper

Film Carriage

- 20" Samuel E Z load non-slip pre-stretch carriage
- Closing the door automatically threads film
- Coated rollers prevent film from slipping and reduce neck-down
- Power pre-stretch allows film to be stretched by 50 to 300% (set to customer's needs)
- Load-cell controlled film-tension for reliable corner compensation
- Belt-drive carriage-lift mechanism
- Heavy duty UHMW support slides

Conveyors

- Optional conveyors are available
- Standard chain-drive, live roller conveyor with 3 1/2" diameter rollers on 4 1/2" centers
- Sealed bearings
- 18" T.O.R.
- 52" Between frame rails
- Variable speed 1/2 HP drive motor
- Standard soft start and stop

Available Options

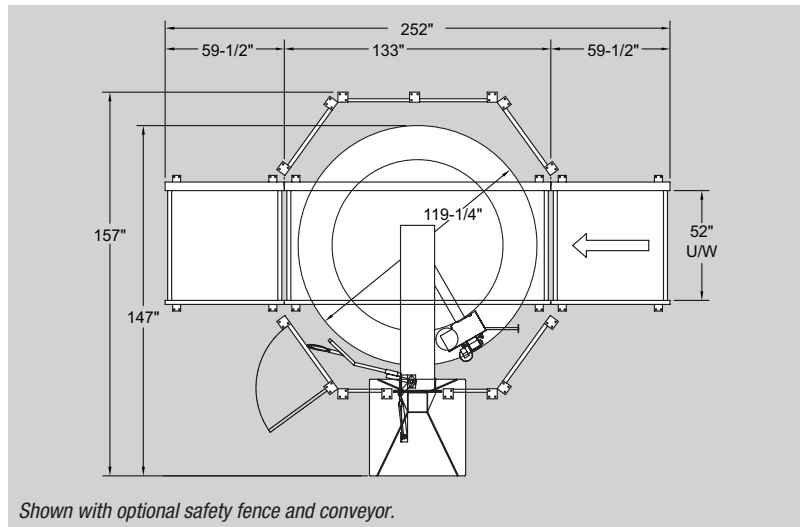
- Conveyors
- Pneumatic roping
- Product pop-up
- Scales
- Labeling
- Heat seal
- Top sheet dispenser
- Safety fencing
- Chain conveyors

Specifications

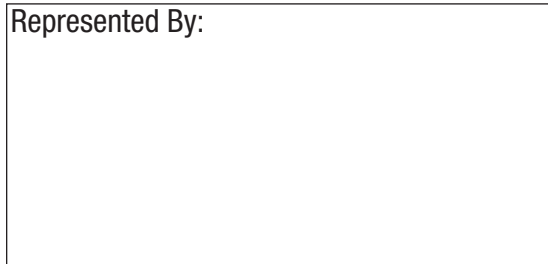
Electrical Supply:	110/220, 20 amp
UL/CSA:	Approved components
Load Size:	50" x 50"
Load Heights:	20" to 80"
Load Weights:	Up to 4000 lbs
Production:	20-25 loads per hour (depending on configuration)

Features and specifications subject to change without notice

Machines for larger, higher, and heavier loads are available



Represented By:



DEFENDER RTA-02/16 116234