

## MODEL STA 500

FULLY-AUTOMATIC HIGH-PROFILE STRETCH-WRAPPER

---



### Features

- No operator required
- Up to 300% pre-stretch
- Film wipe-down to secure film tail
- EZ-Load film carriage
- Load-cell controlled film tension
- Fork-lift portable
- Compact footprint

# MODEL STA 500

## FULLY-AUTOMATIC HIGH-PROFILE STRETCH WRAPPER

Used where productivity levels require complete automation, the STA-500 allows the fork-lift driver to load the machine and start the wrap cycle without leaving the truck. The STA-500 will automatically wrap the product, cut the film and wipe the tail-end of the film securely to the load.

The STA-500 provides automation to customers where traditional conveyerized systems are either too expensive or consume too much space.

### Standard Features

- Solid state PLC control
- Manual control functions
- 1/2 HP carriage lift motor
- EZ Load film carriage
- Load-cell actuated film tension control eliminates moving parts.
- Forklift portable from front or rear of machine
- Film carriage contained within machine frame footprint for protection of operator.
- ANSI #50 chain turntable and carriage lift drive
- Up to 300% film pre-stretch
- Pneumatically actuated film tail wipe-down
- Articulating film clamp increases reliability and provides more attractive load
- Adjustable film tension
- Adjustable turntable speed to 14 RPM
- Non-proprietary parts

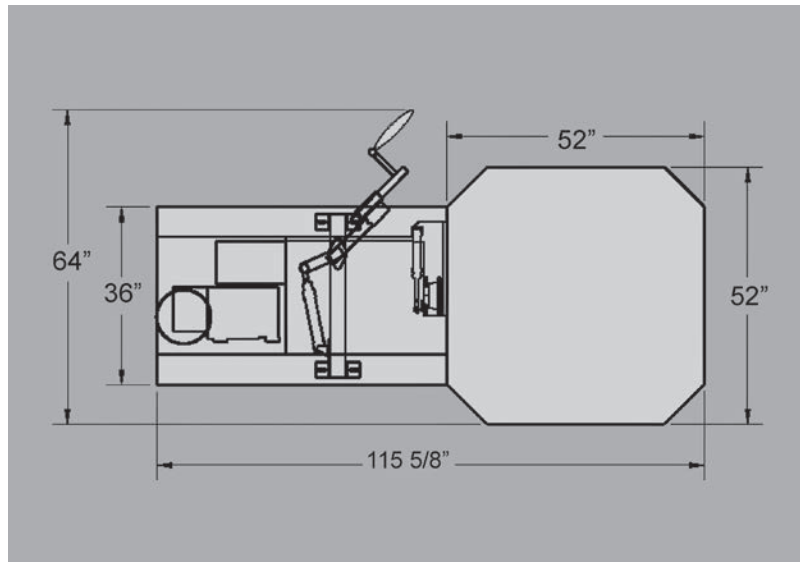
### Available Options

- 30" film carriage
- Integrated weigh scale
- Radio remote control
- Larger load sizes
- 6,000 lb capacity turntable
- Top platen

### Specifications

Electrical Supply:	110V, 1 phase, 12 amp
Load Size:	52" x 52" x 80" high
Load Weights:	Up to 4000 lbs
Production:	Up to 40 loads per hour (depending on configuration)

*Features and specifications subject to change without notice*



Represented By:

STA 500-02/16 116234