

AQ-7PLT

PALLET STRAPPING MACHINE

FEATURES

- PET/PP selection
- Lower sealing for small pallets
- Heavy duty casters for easy portability
- Variable tension



AQ-7PLT

PALLET STRAPPING MACHINE

PET/PP Selection

Either PET or polypropylene strap can be used without changing any parts. The Reel Unit adapts to both 408mm ID x 150mm wide coils and 200mm ID x 200mm wide coils by replacing parts.

Lower Sealing for Small Pallets

Sealing Point is only 326mm from the floor so that the lower pallets can also be strapped.

Portable

Heavy duty metal casters allow for the machine to be quickly installed or moved to any Single Phase supply outlet. Bayonet folds up for easy and safe storage.

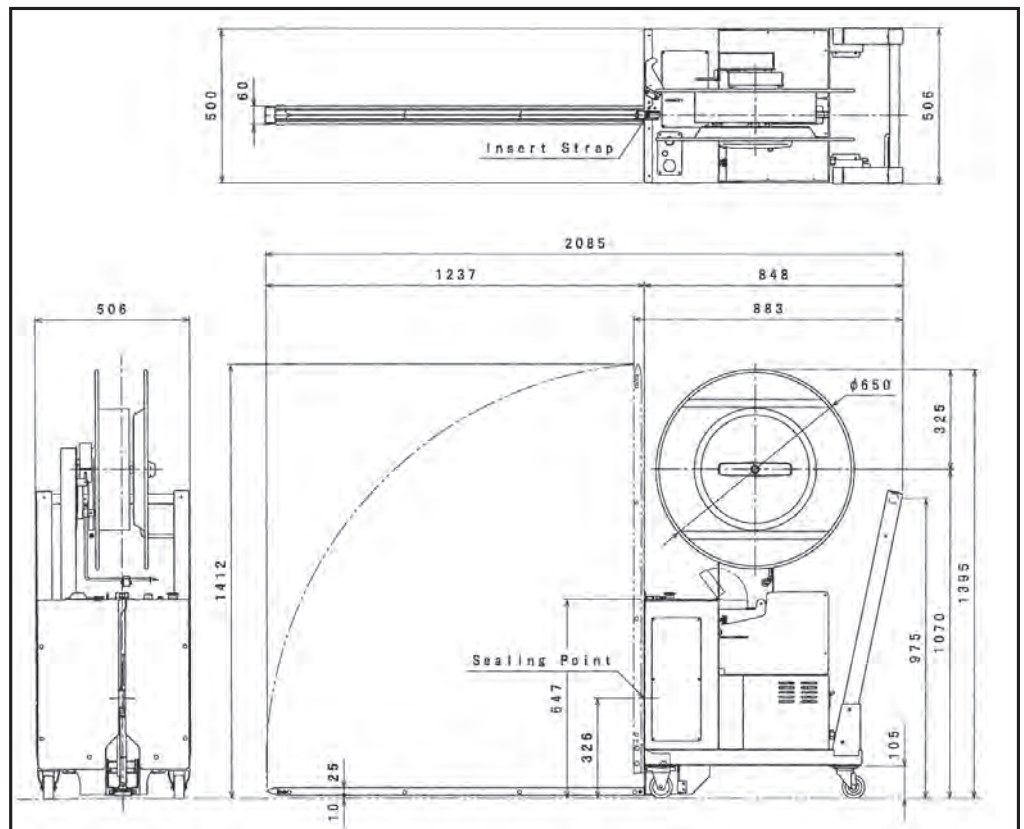
Variable Tension

A wide range of tension is available to the operator by use of a single tension dial. Tension capability is up to 70kg.

Specifications

Width	2085mm 9883 when bayonet is folded
Height	1395mm
Depth	506mm
Weight	approx. 130kg
Bayonet Height	10mm
Package Height	390mm - free
Joint/Strap/Coil	Heat seal / Embossed PP, PET 200mm(ID) x 450mm(OD) x 200mm(W) or 400mm(ID) x 600mm(OD) x 150mm(W)
Strap Width/Thickness	9, 12, 15.5mm / up to 0.7mm
Strap Tension	Max. 690N (70kgf)
Power Supply	100, 110, 120, 200, 220, 230, 240V 1 Phase 50/60Hz 0.65KVA

Dimensions and specifications are subject to change without notice.



AQ-7PLT-03/12-99845