

## MODEL RQ-8S

AUTOMATIC STRAPPING MACHINE FOR SMALL PACKAGES

---



### Features

- Ideal for strapping small bundles of plastic pipes, steel rods, aluminium sash etc.
- Amazing strapping speed.
- Easy strap loading.
- Permanent lubricated mechanism.
- Quick heater.
- Self-diagnostic.
- Variable tension.
- Flat tabletop.
- Dependable.

# MODEL RQ-8S

AUTOMATIC STRAPPING MACHINE FOR SMALL PACKAGES

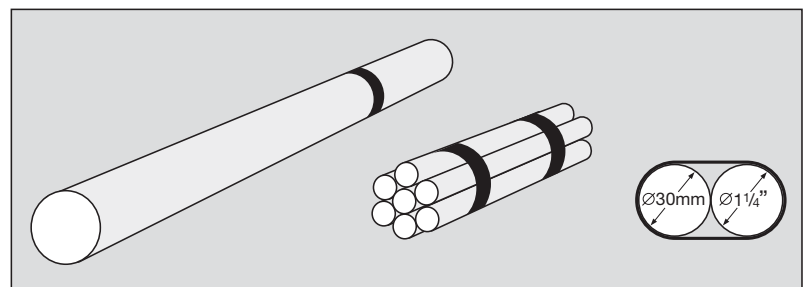
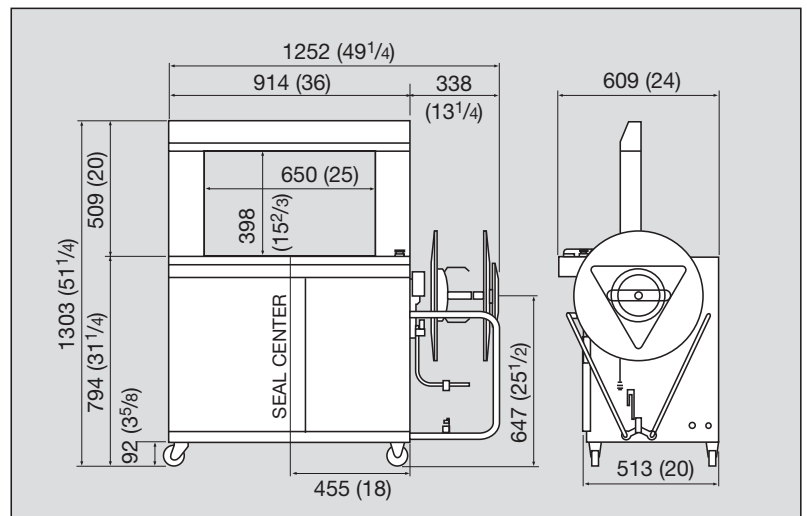
## Standard Features

Ideal for strapping small bundles of plastic pipes, steel rod, aluminium sash etc.

- **RQ-8S** tightly straps square timber as small as W40mm x H30mm (W1<sup>5</sup>/<sub>8</sub>" x H1<sup>1</sup>/<sub>5</sub>" ), cylinders as small as 90mm (1<sup>1</sup>/<sub>2</sub>" ) in diameter and pipe or 2 pipes of 30mm (1<sup>1</sup>/<sub>5</sub>" ).
- **Amazing Strap Speed**  
1.5 seconds per strapping cycle - That's 40 straps per minute!
- **Easy Strap Loading**  
Newly developed loading system free of complicated devices makes strap threading almost completely automatic - it's just a touch of a lever.
- **Permanently Lubricated Mechanism**  
Samuel's self-lubricating design has an unsurpassed reputation for its durability and maintenance-free operation.
- **Quick Heater**  
Ready to operate in less than 25 seconds. Designed to insure strong seal joint.
- **Self Diagnostic**  
A programmable microprocessor constantly monitors critical functions. Any irregularity sensed is immediately displayed.
- **Variable Tension**  
A wide range of tension is available to the operator by use of a single tension dial. Tension capability up to 80kg (177 lbs.) (equivalent to 75mm (3") stroke).
- **Flat Tabletop**  
Tabletop is only 1mm thick and has no table rollers for better tension result.
- **Dependable**  
Samuel's advanced bandway design assures perfect strap placement and eliminates any twisted straps.

## Specifications

<b>Dimensions</b>	Width	1252mm	49 <sup>5</sup> / <sub>16</sub> "
	Height	1303mm	51 <sup>5</sup> / <sub>16</sub> "
	Depth	609mm	24"
	Weight	160kg	353 lbs.
Table Height		794mm	31 <sup>1</sup> / <sub>4</sub> "
Arch Size		W 650mm x H 400mm	W 25" x 16"
<b>Package Size</b>	Max	W 620mm x H 380mm	W 24 <sup>1</sup> / <sub>2</sub> " x 15"
	Min	Wood: W 40mm x H 30mm Pipe: Ø30mm x 2	W 1 <sup>5</sup> / <sub>8</sub> " x 1 <sup>1</sup> / <sub>5</sub> " Ø1 <sup>1</sup> / <sub>5</sub> " x 2
<b>Joint/Strap/Coil</b>		heat seal / polypropylene	
		ID 200mm x OD 450mm x W 200mm	ID 8" x OD 18" x W 8"
Strap Width		5, 6, 9, 12mm	1/4, 3/8, 1/2"
Strap Tension		up to 80kg stroke 75mm	up to 177 lbs. stroke 3"
Speed		1.5 sec./strap, 40 straps/min.	
Power Supply		100, 120, 200, 220, 230, 240V	single phase 50/60Hz 0.65KVA



RQ-8S-06/12-100718