

## MODEL RQ-8X

### AUTOMATIC STRAPPING MACHINE

---



## Features

- High speed
- Anti-jam function
- Easy strap loading
- Automatic re-feed
- Easy maintenance
- Advanced heater design
- Portable
- Variable Tension

# MODEL RQ-8X

## AUTOMATIC STRAPPING MACHINE

### Standard Features

The RQ-8X is the evolution of one of Samuel's most popular and longest selling models, the RQ-8. The new RQ-8X offers a higher strapping speed along with the same reliability, intuitive operation and ease of maintenance that the market has come to expect. These features reinforce the market leading position of the RQ-8 series machines.

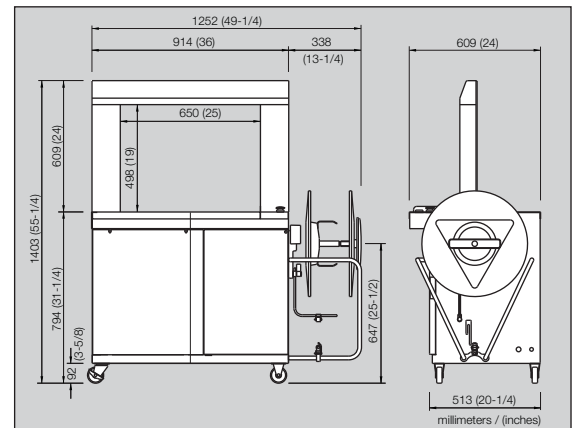
- **High Speed**  
Up to 55 straps per minute (even with tension applied).
- **Anti-Jam Function**  
If the RQ-8X is operated accidentally without a package in place, the strap will form a loop, leaving the machine ready for the next cycle.
- **Easy Strap Loading**  
Strap loading is as easy as a touch of a lever. There is no need to thread the strap.
- **Automatic Re-feed**  
In case of a feeding issue, the machine will re-feed the strap automatically.
- **Easy Maintenance**  
Self-lubricating design reduces wear and tear and increases operational life.
- **Advanced Heater Design**  
RQ-8X is ready to operate in less than 25 seconds, contributing to increased packaging line efficiencies.
- **Portable**  
Heavy-duty metal casters allow the RQ-8X to be quickly moved to any single phase power supply outlet.
- **Variable Tension**  
A wide range of tension is available via a digitally controlled tension dial. Tension capability is up to 80kgf or 176lbs (equivalent of 150mm or 6" stroke). Unlike many other machines in the market, tension does not compromise the cycle speed.

### Specifications

Standard Arch Size (650mm wide x 500mm high or 25" wide x 20" high)

<b>Dimensions</b>	Width	1252mm	49 <sup>1</sup> / <sub>4</sub> "
	Height	1403mm	55 <sup>1</sup> / <sub>4</sub> "
	Depth	609mm	24"
	Weight	160kg	353lbs.
Table Height		794mm	31 <sup>1</sup> / <sub>4</sub> "
<b>Package Size</b>	Max	W 620mm x H 480mm	W 24 <sup>1</sup> / <sub>2</sub> " x 18 <sup>7</sup> / <sub>8</sub> "
	Min	W 80mm x H 30mm	W 3 <sup>1</sup> / <sub>8</sub> " x 1 <sup>1</sup> / <sub>4</sub> "
<b>Joint/Strap/Coil</b>		heat seal / polypropylene	heat seal / polypropylene
		ID 200mm x OD 450mm x W 200mm	ID 8" x OD 18" x W 8"
<b>Strap Width</b>		5, 6, 9, 12, (15.5)mm	5mm <sup>1</sup> / <sub>4</sub> , <sup>3</sup> / <sub>8</sub> , <sup>1</sup> / <sub>2</sub> , ( <sup>5</sup> / <sub>8</sub> )"
<b>Power Supply</b>		100, 120, 200, 220, 230, 240V	single phase 50/60Hz 0.9KVA

*Dimensions and specifications are subject to change without notice.*



RQ-8X-10/12-102304