

## MODEL SLP 110

LOW PROFILE, SEMI-AUTOMATIC STRETCH-WRAPPER

---

### Features

- User Friendly Manual Controls
- Uniform Packaging of Loads
- Heavy Duty Construction
- Forklift Portable From The Front and Back
- Non-Proprietary Parts
- 3 Year Parts Warranty



# MODEL SLP 110

LOW PROFILE STRETCH-WRAPPER

## Standard Features

### Wrapping Features

- Illuminated power on/off switch
- Adjustable table speed (0-12 RPM)
- Adjustable carriage speed
- Adjustable film tension
- SCR motor speed controls with soft start/stop
- Dynamic braking
- Forklift access from the front and back
- Triple beam auto height photoeye to sense most colour loads
- Selector for top and bottom wraps
- Adjustable over top of the load

### Table Construction

- 60" diameter  $\frac{3}{8}$ " steel plate turntable
- Permanently lubricated cam followers
- Table support bearing rated at 7900 lbs
- $\frac{1}{2}$  HP, TEFC, 90V DC motor
- Heavy-duty transmission (1  $\frac{1}{2}$  HP input drive capacity)
- Heavy-duty #50 chain and drive sprocket
- Spring-loaded chain tensioner to eliminate drive shock on start and stop

### Tower

- Formed steel tower
- #50 chain carriage lift
- $\frac{1}{2}$  HP, TEFC, 90V DC motor
- Heavy-duty UHMW support slides
- Heavy-duty carriage lift gear box

### Friction Film Carriage

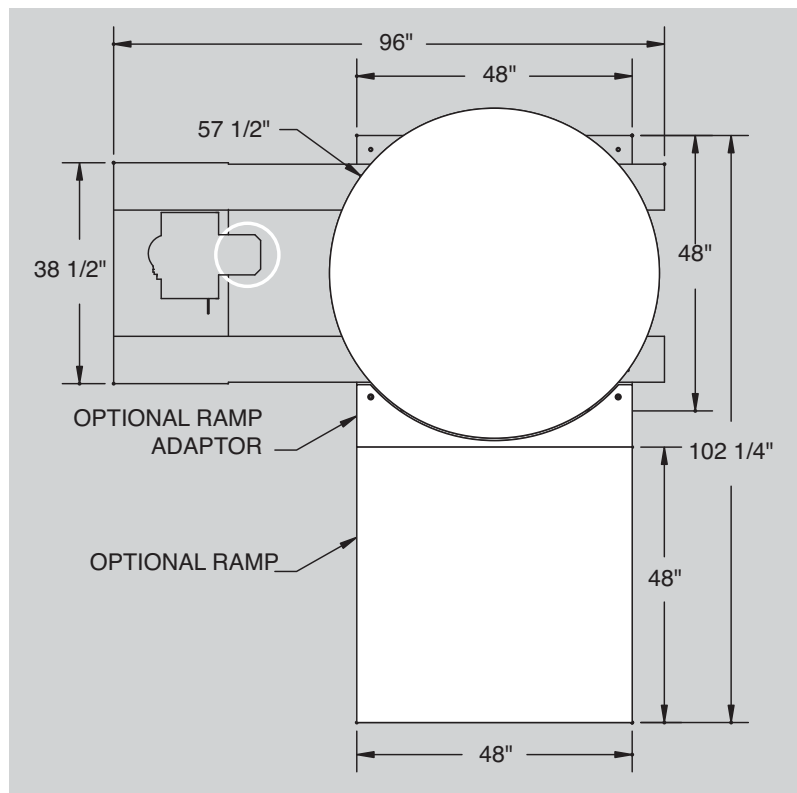
- Holds 18 and 20" film
- Adjustable tension knob

## Specifications

Electrical Supply:	115V 12 amp
UL/CSA:	Approved components
Load Size:	52" x 52"
Load Heights:	20" to 90"
Load Weights:	Up to 4000 lbs
Production:	30-40 loads per hour (depending on configuration)

*Features and specifications subject to change without notice*

Machines for larger, higher, and heavier loads are available



Represented By:

SLP 110-05/12-100448