



Versatile Jumbo Steel Coil Dispenser

Model HD13



Features

- Large Capacity Tower
- Multi-Coil Capacity
Turntable for Decreased
Downtime
- One-way Clutch
Maintains Strap Tension
on Coil Face
- Forklift Loading
- 4000 lb capacity
- 110 Volt Plug-in or
System Hookup
- 3 Phase Gear Motor Drive
- Easy to use Load Hold
Down Ring
- Clockwise and
Counter-Clockwise Payoff

Model HD13 Jumbo Steel Coil Dispenser

Model HD13

The Samuel HD13 Jumbo Steel Coil Dispenser is designed for the demands of today's high output facilities. The large capacity turntable carries up to three coils, reducing downtime in your plant due to changeovers. With a heavy duty thrust bearing for smooth turntable rotation, and roller chain drive, the HD13 will keep your efficiency high and your packaging costs low.

Construction

The HD13 features rugged structural steel frame construction which will withstand the demands of any plant environment. With a high torque 3 phase AC gear motor drive, and a high capacity linear bearing on the tower take-up carriage, this jumbo dispenser will deliver strap evenly to your unitizing equipment. UL and CSA approved electronics can be combined with your systems' shut off switch for maximum safety for plant personnel.

General Specifications

Unit Height	91" (2310mm)
Unit Width	48" (1220mm)
Unit Length	92" (2337mm)

Power Requirements

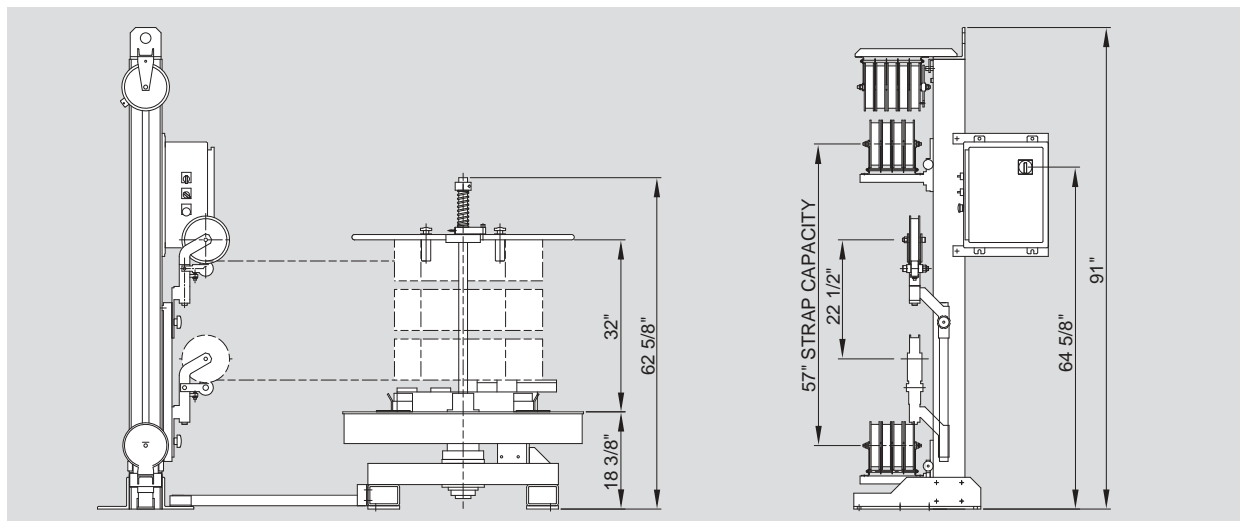
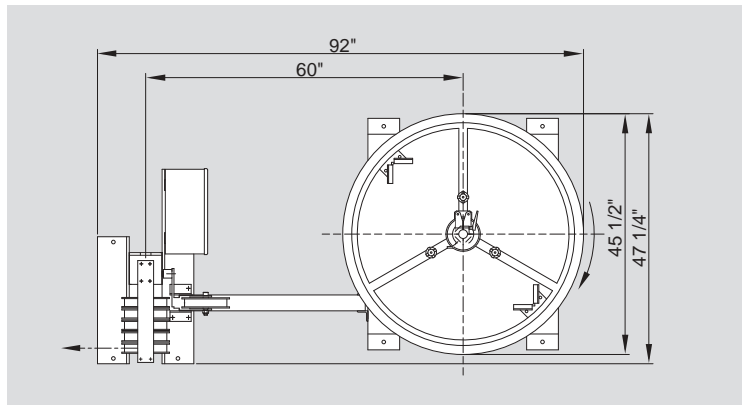
Voltage	110 volts single phase
Current	10 Amps

Coil Data

Max Coil Weight	4000lbs (1800 kg)
Max Coil O.D.	36" (914mm)
Min. Coil I.D.	16" (406mm)
Max. Load Height	34" (864mm)

Feed Rate & Accumulation

Max Table Speed at 60HZ	22 RPM
Recommended Jog Speed at 20HZ	7 RPM
Feed Rate at 36" Coil O.D.	207 FPM (63 M/min)
Feed Rate at 30" Coil O.D.	172 FPM (52 M/min)
Feed Rate at 16" Coil I.D.	92 FPM (28 M/min)
Max Tower Capacity	37' 8" (11.5m)



Samuel Strapping Systems

U.S.A.
1-800-323-4424

Canada
1-800-607-8727

www.samuelstrapping.com