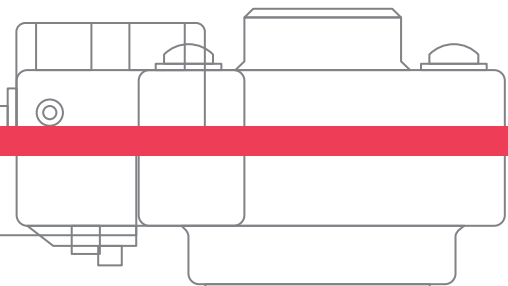


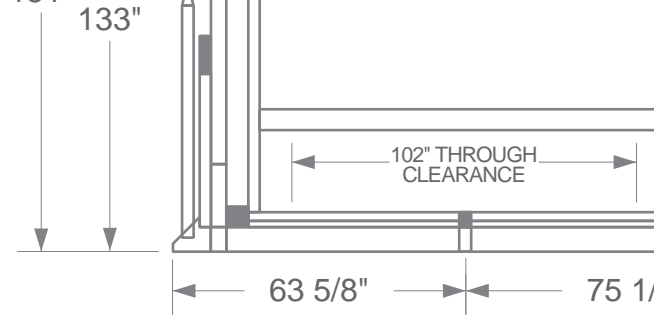
WIRE PRODUCTS



Features

- Single loop wire – assorted lengths and gauges
- Double loop wire – assorted lengths and gauges
- Fully annealed boxed wire in 50lb coils (45 to a skid) and 100lb coils (36 to a skid)
- Fully annealed bulk stem wire averaging 750kgs per stem
- A comprehensive range of galvanized bulk stem wire in assorted specifications
 - Super Soft – averaging 625kgs per stem
 - High tensile - averaging 625kgs per stem
- Marathon and custom packaging available on some products





Wire Products

Baling Wire

Samuel Baling wire is used in a wide variety of applications on recycled products like paper, plastic, metal and clothing. We have a complete range of top quality baling wire available.



Single Loop Wire



50lb & 100lb Boxed coils



Bulk Stem

Samuel Strapping Systems

Canada
1-800-607-8727

www.samuelstrapping.com

Baling wire

Length ft (m)	Gauge	Weight lbs (kg)	Ties/Bundle	Bundles/Skid
22 (6.7)	.120	108.8 (49.4)	125	25
21 (6.4)	.120	103.7 (47.0)	125	25
19 (5.6)	.120	93.8 (42.5)	125	25
18 (5.5)	.120	89.0 (40.4)	125	25
14 (4.3)	.120	69.8 (31.7)	125	25
13 (4.0)	.120	64.9 (29.4)	125	25
21 (6.4)	.105	79.5 (36.1)	125	25
18 (5.5)	.105	69.0 (31.3)	125	25
17.5 (5.3)	.105	67.0 (30.4)	125	30
16 (4.9)	.105	61.0 (27.7)	125	30
14 (4.3)	.105	54.0 (24.5)	125	30
12 (3.7)	.105	47.0 (21.3)	125	30
11 (3.4)	.105	43.2 (19.6)	125	30
18 (5.5)	.092	52.0 (23.6)	125	30
17.5 (5.3)	.092	51.0 (23.1)	125	30
17 (5.2)	.092	49.0 (22.2)	125	30
16 (4.9)	.092	94.2 (42.7)	250	30
15 (4.6)	.092	87.0 (39.5)	250	30
14 (4.3)	.092	80.4 (36.5)	250	30
13.5 (4.2)	.092	78.0 (35.4)	250	30
16 (4.9)	.081	70.5 (31.9)	250	30
14 (4.3)	.081	62.1 (28.2)	250	30
13 (4.0)	.081	58.7 (26.6)	250	30
12 (3.7)	.081	54.0 (24.5)	250	30
11 (3.4)	.081	49.2 (22.3)	250	30
10 (3.0)	.081	45.2 (20.5)	250	30

9 gauge boxed wire 17.31 feet/lb

11 gauge boxed wire 26.28 feet/lb

10 gauge boxed wire 20.53 feet/lb

12 gauge boxed wire 34.09 feet/lb

Distributed by: